

九、2GM系列单吸双螺杆泵 2GM series single-absorb twin screw pump



2GM系列单吸双螺杆泵  
2GM Series single-suction double screw pump

1、性能特点 Characteristic

本产品是一种小规格的外置轴承型单吸双螺杆泵，流量范围0.5-60m<sup>3</sup>/h、压力范围0.1-2MPa。泵本身不带加热室及安全阀。轴承腔与泵腔用机械密封及骨架油封隔开，密封性好。具有体积小、使用范围广、维修、拆洗方便等优点。

This product is a small external bearing type single-suction double screw pump, flux ranging 0.5-60m<sup>3</sup>/h, pressure 0.1-2MPa, without heating chamber or safety valve attached with. The bearing bore and pump bore are separated by mechanical seal and skeleton oil seal. Type are of good seal tightness. It possesses the features go small volume, wide application, ease in maintenance and wash.

2、主要技术性能参数表 Performance parameters of main technique

转速 Speed n=1500r/min

型号 Model	口径 (mm) Diameter	真空度 (mH <sub>2</sub> O) Vacuum	压力 (MPa) Pressure	运动粘度 Viscosity mm <sup>2</sup> /s											
				35		75		150		350		750		1500	
				流量 (M <sup>3</sup> /h) Flux	功率 (Kw) Power	流量 (M <sup>3</sup> /h) Flux	功率 (Kw) Power	流量 (M <sup>3</sup> /h) Flux	功率 (Kw) Power	流量 (M <sup>3</sup> /h) Flux	功率 (Kw) Power	流量 (M <sup>3</sup> /h) Flux	功率 (Kw) Power	流量 (M <sup>3</sup> /h) Flux	功率 (Kw) Power
2GM58-12	25	8	0.2	1.1	1.1	1.2	1.1	1.2	1.1	1.3	1.1	1.4	1.1	1.5	1.1
			0.4	1.0	1.1	1.1	1.1	1.1	1.2	1.1	1.3	1.1	1.4	1.1	
			0.6	1.0	1.1	1.1	1.1	1.1	1.2	1.1	1.3	1.1	1.4	1.5	
			0.8	0.9	1.1	1.0	1.1	1.0	1.1	1.1	1.2	1.1	1.3	1.5	
			1.0	0.9	1.1	1.0	1.1	1.0	1.1	1.1	1.2	1.5	1.3	1.5	
			1.2	0.7	1.1	0.8	1.1	0.8	1.1	0.9	1.1	1.0	1.5	1.1	2.2
			1.6	0.6	1.5	0.7	1.5	0.7	1.5	0.8	1.5	0.9	2.2	1.0	2.2
			2.0	0.5	1.5	0.6	1.5	0.6	1.5	0.7	1.5	0.8	2.2	0.9	2.2
2GM58-24	25	8	0.2	2.0	1.1	2.1	1.1	2.1	1.1	2.2	1.1	2.3	1.5	2.4	1.5
			0.4	2.0	1.1	2.1	1.1	2.1	1.1	2.2	1.1	2.3	1.5	2.4	2.2
			0.6	1.9	1.1	2.0	1.1	2.0	1.1	2.1	1.5	2.2	1.5	2.3	2.2
			0.8	1.8	1.1	1.9	1.1	1.9	1.1	2.0	1.5	2.1	2.2	2.2	3.0
			1.0	1.7	1.1	1.8	1.1	1.8	1.1	1.9	2.2	2.1	2.2	2.1	3.0
			1.2	1.5	1.5	1.7	1.5	1.7	1.5	1.8	2.2	1.9	2.2	2.0	3.0
			1.6	1.2	2.2	1.3	2.2	1.3	2.2	1.5	2.2	1.7	3.0	1.9	4.0
			2.0	1.0	2.2	1.2	2.2	1.2	2.2	1.3	3.0	1.5	3.0	1.7	4.0
2GM58-36	25	7	0.2	2.9	1.5	3.0	1.5	3.0	1.5	3.1	1.5	3.2	1.5	3.4	2.2
			0.4	2.9	1.5	3.0	1.5	3.0	1.5	3.1	1.5	3.2	1.5	3.3	2.2
			0.6	2.7	1.5	2.8	1.5	2.8	1.5	3.0	1.5	3.1	2.2	3.2	3.0
			0.8	2.5	1.5	2.6	1.5	2.6	1.5	2.8	2.2	2.9	2.2	3.0	3.0
			1.0	2.4	2.2	2.5	2.2	2.5	2.2	2.6	2.2	2.7	3.0	2.8	3.0
			1.2	2.2	2.2	2.3	2.2	2.3	2.2	2.4	3.0	2.5	3.0	2.6	4.0
			1.6	1.6	3.0	1.7	3.0	1.7	3.0	1.8	3.0	2.0	3.0	2.3	4.0
			2.0	1.1	4.0	1.3	4.0	1.3	4.0	1.4	4.0	1.7	3.0	2.0	4.0
2GM68-12	40	8	0.2	1.8	2.2	1.9	2.2	1.9	2.2	2.0	2.2	2.1	2.2	2.3	2.2
			0.4	1.7	2.2	1.8	2.2	1.8	2.2	1.9	2.2	2.0	2.2	2.2	3.0
			0.6	1.7	2.2	1.8	2.2	1.8	2.2	1.9	2.2	2.0	2.2	2.2	3.0
			0.8	1.6	2.2	1.7	2.2	1.7	2.2	1.8	2.2	1.9	3.0	2.0	3.0
			1.0	1.6	2.2	1.7	2.2	1.7	2.2	1.8	2.2	1.9	3.0	2.0	4.0
			1.2	1.5	3.0	1.6	3.0	1.6	3.0	1.7	3.0	1.8	3.0	1.9	4.0
			1.6	1.4	3.0	1.5	3.0	1.5	3.0	1.6	3.0	1.7	4.0	1.8	4.0
			2.0	1.3	3.0	1.4	3.0	1.4	3.0	1.5	3.0	1.6	4.0	1.7	4.0
2GM68-18	40	8	0.2	2.5	2.2	2.6	2.2	2.6	2.2	2.7	2.2	2.8	2.2	3.0	2.2
			0.4	2.4	2.2	2.5	2.2	2.5	2.2	2.6	2.2	2.7	2.2	2.9	3.0
			0.6	2.3	2.2	2.4	2.2	2.4	2.2	2.5	2.2	2.6	3.0	2.8	3.0
			0.8	2.2	3.0	2.3	3.0	2.3	3.0	2.4	3.0	2.5	3.0	2.7	3.0
			1.0	2.0	3.0	2.2	3.0	2.2	3.0	2.3	3.0	2.4	3.0	2.6	4.0
			1.2	1.8	3.0	2.1	3.0	2.1	3.0	2.2	3.0	2.3	4.0	2.5	4.0
			1.6	1.6	4.0	2.0	4.0	2.0	4.0	2.1	4.0	2.2	4.0	2.4	4.0
			2.0	1.4	4.0	1.9	4.0	1.9	4.0	2.0	4.0	2.1	4.0	2.3	4.0
2GM68-24	40	7	0.2	2.9	3.0	3.1	3.0	3.1	3.0	3.3	3.0	3.5	3.0	3.8	3.0
			0.4	2.8	3.0	3.0	3.0	3.0	3.0	3.2	3.0	3.4	3.0	3.7	4.0
			0.6	2.7	3.0	2.9	3.0	2.9	3.0	3.1	3.0	3.3	4.0	3.6	4.0
			0.8	2.6	3.0	2.8	3.0	2.8	3.0	3.0	3.0	3.2	4.0	3.5	4.0
			1.0	2.5	4.0	2.7	4.0	2.7	4.0	2.9	4.0	3.1	4.0	3.4	5.5
			1.2	2.4	4.0	2.6	4.0	2.6	4.0	2.8	4.0	3.0	4.0	3.2	5.5
			1.6	2.2	4.0	2.4	4.0	2.4	4.0	2.6	4.0	2.8	5.5	3.0	5.5
			2.0	2.0	4.0	2.2	5.5	2.2	5.5	2.4	5.5	2.6	5.5	2.8	7.5

注：本表所示功率为配用电机功率。 Note: The power of the table is the power of the motor.



转速 Speed  $n=1500r/min$ 

型号 Model	口径 (mm) Diameter	真空度 (mHzO) Vacuum	压力 (MPa) Pressure	运动粘度 Viscosity $mm^2/s$											
				35		75		150		350		750		1500	
				流量 (M <sup>3</sup> /h) Flux	功率 (Kw) Power	流量 (M <sup>3</sup> /h) Flux	功率 (Kw) Power	流量 (M <sup>3</sup> /h) Flux	功率 (Kw) Power	流量 (M <sup>3</sup> /h) Flux	功率 (Kw) Power	流量 (M <sup>3</sup> /h) Flux	功率 (Kw) Power	流量 (M <sup>3</sup> /h) Flux	功率 (Kw) Power
2GM68-36	40	7	0.2	4.5	3.0	4.7	3.0	4.7	3.0	4.9	3.0	5.2	3.0	5.5	3.0
			0.4	4.3	3.0	4.5	3.0	4.5	3.0	4.7	3.0	4.9	3.0	5.2	4.0
			0.6	4.1	3.0	4.3	3.0	4.3	3.0	4.5	3.0	4.8	4.0	5.1	4.0
			0.8	3.9	4.0	4.1	4.0	4.1	4.0	4.3	4.0	4.6	4.0	4.9	5.5
			1.0	3.7	4.0	3.9	4.0	3.9	4.0	4.1	4.0	4.4	4.0	4.7	5.5
			1.2	3.6	4.0	3.8	4.0	3.8	4.0	4.0	4.0	4.3	5.5	4.6	5.5
			1.6	3.4	5.5	3.6	5.5	3.6	5.5	3.8	5.5	4.1	5.5	4.4	7.5
			2.0	2.8	5.5	3.2	5.5	3.2	5.5	3.5	5.5	3.8	7.5	4.2	7.5
2GM68-48	40	6	0.2	6.5	4.0	6.7	4.0	6.7	4.0	7.0	4.0	7.3	4.0	7.7	5.5
			0.4	6.3	4.0	6.5	4.0	6.5	4.0	6.8	4.0	7.1	4.0	7.5	5.5
			0.6	6.1	4.0	6.3	4.0	6.3	4.0	6.5	4.0	6.8	5.5	7.2	5.5
			0.8	5.7	5.5	5.9	5.5	5.9	5.5	6.2	5.5	6.5	5.5	6.8	7.5
			1.0	5.5	5.5	5.7	5.5	5.7	5.5	6.0	5.5	6.3	5.5	6.6	7.5
			1.2	5.3	5.5	5.5	5.5	5.5	5.5	5.8	5.5	6.1	7.5	6.5	7.5
			1.6	4.8	7.5	5.1	7.5	5.1	7.5	5.4	7.5	5.7	7.5	6.2	11.0
			2.0	4.0	7.5	4.5	7.5	4.5	7.5	4.8	7.5	5.1	7.5	5.5	11.0
2GM98-25	50	7	0.2	8.0	5.5	8.3	5.5	8.3	5.5	8.6	5.5	9.0	5.5	9.5	5.5
			0.4	7.8	5.5	8.0	5.5	8.0	5.5	8.3	5.5	8.7	5.5	9.2	5.5
			0.6	7.5	5.5	7.8	5.5	7.8	5.5	8.0	5.5	8.4	5.5	9.0	7.5
			0.8	7.2	7.5	7.5	7.5	7.5	7.5	7.8	5.5	8.2	7.5	8.8	7.5
			1.0	7.0	7.5	7.2	7.5	7.2	7.5	7.5	7.5	8.0	7.5	8.5	11.0
			1.2	6.7	7.5	7.0	7.5	7.0	7.5	7.2	7.5	7.6	11.0	8.0	11.0
			1.6	6.2	11.0	6.5	11.0	6.5	11.0	6.8	11.0	7.3	11.0	7.8	15.0
			2.0	5.7	11.0	6.0	11.0	6.0	11.0	6.3	11.0	6.8	15.0	7.5	15.0
2GM98-34	50	7	0.2	11.5	5.5	12.0	5.5	12.0	5.5	12.5	5.5	13.0	5.5	13.5	7.5
			0.4	11.0	5.5	11.5	5.5	11.5	5.5	12.0	5.5	12.5	7.5	13.0	7.5
			0.6	10.5	7.5	11.0	7.5	11.0	7.5	11.5	7.5	12.0	7.5	12.5	7.5
			0.8	10.2	7.5	10.5	7.5	10.5	7.5	11.0	7.5	11.5	7.5	12.0	11.0
			1.0	10.0	7.5	10.2	7.5	10.2	7.5	10.5	7.5	11.0	11.0	11.5	11.0
			1.2	9.0	11.0	10.0	11.0	10.0	11.0	10.5	11.0	11.0	11.0	11.5	11.0
			1.6	8.0	11.0	9.0	11.0	9.0	11.0	9.5	11.0	10.0	11.0	10.5	15.0
			2.0	7.0	11.0	8.0	11.0	8.0	11.0	8.5	11.0	9.0	15.0	9.5	15.0
2GM98-50	50	6	0.2	16.5	7.5	17.0	7.5	17.0	7.5	17.5	7.5	18.0	7.5	18.5	11.0
			0.4	16.0	7.5	16.5	7.5	16.5	7.5	17.0	7.5	17.5	11.0	18.0	11.0
			0.6	15.5	7.5	16.0	7.5	16.0	7.5	16.5	7.5	17.0	11.0	17.5	11.0
			0.8	15.0	11.0	15.5	11.0	15.5	11.0	16.0	11.0	16.5	11.0	17.0	15.0
			1.0	14.5	11.0	15.0	11.0	15.0	11.0	15.5	11.0	16.0	15.0	16.5	15.0
			1.2	14.0	11.0	14.5	11.0	14.5	11.0	15.0	11.0	15.5	15.0	16.0	15.0
			1.6	13.5	15.0	14.0	15.0	14.0	15.0	14.5	15.0	15.0	15.0	15.5	18.5
			2.0	12.5	15.0	13.0	15.0	13.0	15.0	13.5	15.0	14.2	18.5	14.8	18.5
2GM98-72	50	6	0.2	24.5	11.0	25.0	11.0	25.0	11.0	25.5	11.0	26.0	11.0	26.5	11.0
			0.4	23.8	11.0	24.5	11.0	24.5	11.0	25.0	11.0	25.5	11.0	26.0	11.0
			0.6	23.0	11.0	23.8	11.0	23.8	11.0	24.2	11.0	24.6	15.0	25.0	15.0
			0.8	22.2	11.0	23.0	11.0	23.0	11.0	23.5	11.0	24.0	15.0	24.5	15.0
			1.0	21.5	15.0	22.2	15.0	22.2	15.0	22.7	15.0	23.3	15.0	23.8	15.0
			1.2	21.0	15.0	21.5	15.0	21.5	15.0	22.0	15.0	22.5	18.5	23.0	18.5
			1.6	20.0	18.5	20.5	18.5	20.5	18.5	21.0	18.5	21.6	18.5	22.2	18.5
			2.0	18.0	18.5	19.0	18.5	19.0	18.5	19.5	18.5	20.3	18.5	21.0	18.5

注：本表所示功率为配用电机功率。 Note: The power of the table is the power of the motor.



**转速 Speed n=1500r/min**

型号 Model	口径 (mm) Diameter	真空度 (mHzO) Vacuum	压力 (MPa) Pressure	运动粘度 Viscosity mm <sup>2</sup> /s											
				35		75		150		350		750		1500	
				流量 (M <sup>3</sup> /h) Flux	功率 (Kw) Power	流量 (M <sup>3</sup> /h) Flux	功率 (Kw) Power	流量 (M <sup>3</sup> /h) Flux	功率 (Kw) Power	流量 (M <sup>3</sup> /h) Flux	功率 (Kw) Power	流量 (M <sup>3</sup> /h) Flux	功率 (Kw) Power	流量 (M <sup>3</sup> /h) Flux	功率 (Kw) Power
2GM128-40	80	7	0.2	23.5	11.0	24.0	11.0	24.0	11.0	24.5	11.0	25.0	11.0	26.7	15.0
			0.4	22.5	11.0	23.0	11.0	23.0	11.0	23.5	11.0	24.0	15.0	24.7	15.0
			0.6	21.5	15.0	22.0	15.0	22.0	15.0	22.5	15.0	23.0	15.0	23.6	18.5
			0.8	20.5	15.0	21.0	15.0	21.0	15.0	21.5	15.0	22.0	18.5	22.6	18.5
			1.0	20.0	18.5	20.5	18.5	20.5	18.5	21.0	18.5	21.5	18.5	22.0	22.0
			1.2	19.5	18.5	20.0	18.5	20.0	18.5	20.5	18.5	21.0	22.0	21.5	22.0
			1.6	17.5	22	18.0	22	18.0	22	18.5	22	19.0	22.0	19.6	30.0
			2.0	15.5	30	16.0	30	16.0	30	16.5	30	17.0	30.0	17.7	30.0
2GM128-50	80	7	0.2	28.5	15.0	29.0	15.0	29.0	15.0	29.5	15.0	30.0	15.0	30.8	18.5
			0.4	27.5	15.0	28.0	15.0	28.0	15.0	28.5	15.0	29.0	18.5	29.8	18.5
			0.6	26.0	18.5	26.5	18.5	26.5	18.5	27.0	18.5	27.5	18.5	28.2	22.0
			0.8	24.5	22.0	25.0	22.0	25.0	22.0	25.5	22.0	26.0	22.0	26.7	22.0
			1.0	23.0	22.0	23.5	22.0	23.5	22.0	24.0	22.0	24.5	22.0	25.2	30.0
			1.2	21.5	30.0	22.0	30.0	22.0	30.0	22.5	30.0	23.0	30.0	23.8	30.0
			1.6	20.5	30.0	21.0	30.0	21.0	30.0	21.5	30.0	22.0	30.0	22.8	37.0
			2.0	19.5	37.0	20.0	37.0	20.0	37.0	20.5	37.0	21.0	37.0	22.0	37.0
2GM128-80	80	6	0.2	44.0	18.5	45.0	18.5	45.0	18.5	46.0	18.5	47.0	18.5	48.0	22.0
			0.4	43.0	18.5	43.0	18.5	43.0	18.5	44.0	18.5	45.0	22.0	46.0	22.0
			0.6	40.0	22.0	41.0	22.0	41.0	22.0	42.0	22.0	43.0	22.0	44.0	30.0
			0.8	38.0	30.0	39.0	30.0	39.0	30.0	40.0	30.0	41.0	30.0	42.0	30.0
			1.0	37.0	30.0	38.0	30.0	38.0	30.0	39.0	30.0	40.0	30.0	41.0	37.0
			1.2	36.0	37.0	37.0	37.0	37.0	37.0	38.0	37.0	39.0	37.0	41.0	45.0
			1.6	34.0	45.0	35.0	45.0	35.0	45.0	36.0	45.0	37.5	45.0	39.0	45.0
			2.0	31.0	45.0	32.0	45.0	32.0	45.0	33.0	45.0	34.5	45.0	36.0	55.0
2GM128-100	80	6	0.2	51.5	22.0	52.0	22.0	52.5	22.0	53.0	22.0	54.0	22.0	55.0	30.0
			0.4	49.5	22.0	50.0	22.0	50.5	22.0	51.0	22.0	52.0	30.0	53.0	30.0
			0.6	47.5	30.0	48.0	30.0	48.5	30.0	49.0	30.0	50.0	30.0	51.0	37.0
			0.8	45.5	30.0	46.0	30.0	46.5	30.0	47.0	30.0	48.0	37.0	49.0	37.0
			1.0	43.5	37.0	44.0	37.0	44.5	37.0	45.0	37.0	46.0	37.0	47.0	45.0
			1.2	41.5	37.0	42.0	37.0	42.5	37.0	43.0	37.0	44.0	45.0	45.0	45.0
			1.6	37.0	45.0	39.0	45.0	39.0	45.0	40.0	45.0	41.5	45.0	43.0	55.0
			2.0	32.0	45.0	35.0	45.0	35.0	45.0	36.0	45.0	37.0	55.0	39.0	55.0

注：本表所示功率为配用电机功率。      Note: The power of the table is the power of the motor.



转速 Speed  $n=1000r/min$ 

型号 Model	口径 (mm) Diameter	真空度 (mHzO) Vacuum	压力 (MPa) Pressure	运动粘度 Viscosity $mm^2/s$											
				35		75		150		350		750		1500	
				流量 (M <sup>3</sup> /h) Flux	功率 (Kw) Power	流量 (M <sup>3</sup> /h) Flux	功率 (Kw) Power	流量 (M <sup>3</sup> /h) Flux	功率 (Kw) Power	流量 (M <sup>3</sup> /h) Flux	功率 (Kw) Power	流量 (M <sup>3</sup> /h) Flux	功率 (Kw) Power	流量 (M <sup>3</sup> /h) Flux	功率 (Kw) Power
2GM58-12	25	7	0.2	0.7	0.75	0.78	0.75	0.8	0.75	0.82	0.75	0.85	0.75	0.88	0.2
			0.4	0.6	0.75	0.68	0.75	0.7	0.75	0.78	0.75	0.8	0.75	0.83	0.4
			0.6	0.55	0.75	0.63	0.75	0.65	0.75	0.67	0.75	0.7	0.75	0.73	0.6
			0.8	0.5	0.75	0.58	0.75	0.6	0.75	0.62	0.75	0.65	1.1	0.68	0.8
			1.0	0.45	0.75	0.52	1.1	0.55	1.1	0.57	1.1	0.6	1.1	0.62	1.0
			1.2	0.4	1.1	0.47	1.1	0.5	1.1	0.52	1.1	0.55	1.1	0.57	1.2
			1.6	0.3	1.1	0.36	1.1	0.4	1.1	0.42	1.1	0.45	1.5	0.47	1.6
			2.0	0.2	1.1	0.25	1.5	0.3	1.5	0.32	1.5	0.35	1.5	0.36	2.0
2GM58-24	25	7	0.2	1.0	1.1	1.3	1.1	1.5	1.1	1.7	1.1	1.9	1.1	2.1	0.2
			0.4	0.9	1.1	1.2	1.1	1.4	1.1	1.6	1.1	1.8	1.1	2.0	0.4
			0.6	0.8	1.1	1.1	1.1	1.3	1.1	1.5	1.1	1.7	1.5	1.9	0.6
			0.8	0.7	1.1	1.0	1.5	1.2	1.5	1.4	1.5	1.6	1.5	1.8	0.8
			1.0	0.6	1.5	0.9	1.5	1.1	1.5	1.3	1.5	1.5	2.2	1.7	1.0
			1.2	0.5	1.5	0.8	1.5	1.0	1.5	1.2	1.5	1.4	2.2	1.6	1.2
			1.6	0.3	1.5	0.6	2.2	0.8	2.2	1.0	2.2	1.2	3.0	1.4	1.6
			2.0	0.2	2.2	0.5	2.2	0.7	2.2	0.9	2.2	1.1	3.0	1.3	2.0
2GM58-36	25	6	0.2	1.7	1.5	1.9	1.5	2.1	1.5	2.3	1.5	2.5	1.5	2.7	0.2
			0.4	1.6	1.5	1.8	1.5	2.0	1.5	2.2	1.5	2.4	1.5	2.6	0.4
			0.6	1.5	1.5	1.7	1.5	1.9	1.5	2.1	1.5	2.3	2.2	2.5	0.6
			0.8	1.4	2.2	1.6	2.2	1.8	2.2	2.0	2.2	2.2	2.2	2.4	0.8
			1.0	1.3	2.2	1.5	2.2	1.7	2.2	1.9	2.2	2.1	3.0	2.3	1.0
			1.2	1.2	2.2	1.4	2.2	1.6	2.2	1.8	2.2	2.0	3.0	2.2	1.2
			1.6	0.8	3.0	1.0	3.0	1.1	3.0	1.3	3.0	1.5	4.0	1.7	1.6
			2.0	0.5	3.0	0.7	3.0	0.8	3.0	1.0	3.0	1.2	4.0	1.5	2.0
2GM68-12	40	7	0.2	1.1	2.2	1.2	2.2	1.3	2.2	1.4	2.2	1.5	2.2	1.6	0.2
			0.4	1.0	2.2	1.1	2.2	1.2	2.2	1.3	2.2	1.4	2.2	1.5	0.4
			0.6	0.9	2.2	1.0	2.2	1.1	2.2	1.2	2.2	1.3	2.2	1.4	0.6
			0.8	0.9	2.2	1.0	2.2	1.1	2.2	1.1	2.2	1.2	2.2	1.3	0.8
			1.0	0.8	2.2	0.9	2.2	1.0	2.2	1.1	2.2	1.1	3.0	1.2	1.0
			1.2	0.8	2.2	0.9	2.2	1.0	2.2	1.0	3.0	1.1	3.0	1.2	1.2
			1.6	0.7	3.0	0.8	3.0	0.9	3.0	1.0	3.0	1.0	3.0	1.1	1.6
			2.0	0.6	3.0	0.7	3.0	0.8	3.0	0.9	3.0	1.0	3.0	1.1	2.0
2GM68-18	40	7	0.2	1.7	2.2	1.8	2.2	1.9	2.2	2.0	2.2	2.1	2.2	2.2	0.2
			0.4	1.6	2.2	1.7	2.2	1.8	2.2	1.9	2.2	2.0	2.2	2.0	0.4
			0.6	1.5	2.2	1.6	2.2	1.7	2.2	1.8	2.2	1.9	2.2	2.0	0.6
			0.8	1.4	2.2	1.5	2.2	1.6	2.2	1.7	2.2	1.8	3.0	1.9	0.8
			1.0	1.3	3.0	1.4	3.0	1.5	3.0	1.6	3.0	1.7	3.0	1.8	1.0
			1.2	1.2	3.0	1.3	3.0	1.4	3.0	1.5	3.0	1.6	3.0	1.7	1.2
			1.6	1.0	3.0	1.1	3.0	1.2	3.0	1.3	3.0	1.4	4.0	1.5	1.6
			2.0	0.8	3.0	0.9	3.0	1.0	3.0	1.1	3.0	1.2	4.0	1.3	2.0
2GM68-24	40	7	0.2	1.9	2.2	2.0	2.2	2.1	2.2	2.2	2.2	2.3	2.2	2.4	0.2
			0.4	1.8	2.2	1.9	2.2	2.0	2.2	2.1	2.2	2.2	2.2	2.3	0.4
			0.6	1.7	2.2	1.8	2.2	1.9	2.2	2.0	2.2	2.1	3.0	2.2	0.6
			0.8	1.6	2.2	1.7	2.2	1.8	2.2	1.9	3.0	2.0	3.0	2.1	0.8
			1.0	1.5	2.2	1.6	3.0	1.7	3.0	1.8	3.0	1.9	3.0	2.0	1.0
			1.2	1.4	3.0	1.5	3.0	1.6	3.0	1.7	3.0	1.8	4.0	1.9	1.2
			1.6	1.1	3.0	1.2	3.0	1.3	3.0	1.4	4.0	1.5	4.0	1.6	1.6
			2.0	0.8	3.0	0.9	4.0	1.0	4.0	1.1	4.0	1.2	4.0	1.3	2.0

注：本表所示功率为配用电机功率。 Note: The power of the table is the power of the motor.



转速 Speed  $n=1000r/min$

型号 Model	口径 (mm) Diameter	真空度 (mH <sub>2</sub> O) Vacuum	压力 (MPa) Pressure	运动粘度 Viscosity mm <sup>2</sup> /s											
				35		75		150		350		750		1500	
				流量 (M <sup>3</sup> /h) Flux	功率 (Kw) Power	流量 (M <sup>3</sup> /h) Flux	功率 (Kw) Power	流量 (M <sup>3</sup> /h) Flux	功率 (Kw) Power	流量 (M <sup>3</sup> /h) Flux	功率 (Kw) Power	流量 (M <sup>3</sup> /h) Flux	功率 (Kw) Power	流量 (M <sup>3</sup> /h) Flux	功率 (Kw) Power
2GM68-36	40	6	0.2	3.0	2.2	3.1	2.2	3.2	2.2	3.3	2.2	3.5	2.2	3.8	2.2
			0.4	2.8	2.2	2.9	2.2	3.0	2.2	3.1	2.2	3.3	2.2	3.6	2.2
			0.6	2.6	2.2	2.7	2.2	2.8	3.0	2.9	3.0	3.1	3.0	3.4	3.0
			0.8	2.5	2.2	2.6	3.0	2.7	3.0	2.8	3.0	3.0	3.0	3.3	3.0
			1.0	2.2	3.0	2.3	3.0	2.4	3.0	2.5	4.0	2.7	4.0	3.0	4.0
			1.2	2.0	3.0	2.1	4.0	2.2	4.0	2.3	4.0	2.5	4.0	2.8	4.0
			1.6	1.5	3.0	1.6	4.0	1.7	4.0	1.8	4.0	2.0	5.5	2.3	5.5
			2.0	1.2	4.0	1.3	4.0	1.4	4.0	1.5	4.0	1.7	5.5	2.0	5.5
2GM68-48	40	6	0.2	4.2	3.0	4.4	3.0	4.5	3.0	4.6	3.0	4.8	3.0	5.0	3.0
			0.4	3.9	3.0	4.1	3.0	4.2	3.0	4.3	3.0	4.5	3.0	4.7	4.0
			0.6	3.7	3.0	3.9	4.0	4.0	4.0	4.1	4.0	4.3	4.0	4.5	4.0
			0.8	3.4	4.0	3.6	4.0	3.7	4.0	3.8	4.0	4.0	4.0	4.2	5.5
			1.0	3.2	4.0	3.4	4.0	3.5	4.0	3.6	5.5	3.8	5.5	4.0	5.5
			1.2	2.8	4.0	3.1	5.5	3.2	5.5	3.3	5.5	3.5	5.5	3.7	7.5
			1.6	2.4	5.5	2.6	5.5	2.7	5.5	2.8	7.5	3.0	7.5	3.2	7.5
			2.0	2.0	5.5	2.2	5.5	2.3	5.5	2.4	7.5	2.5	7.5	2.8	7.5
2GM98-25	50	7	0.2	5.2	4.0	5.3	4.0	5.4	4.0	5.5	4.0	5.7	4.0	6.0	3.0
			0.4	5.0	4.0	5.1	4.0	5.2	4.0	5.3	4.0	5.5	4.0	5.7	4.0
			0.6	4.7	4.0	4.8	4.0	4.9	4.0	5.0	4.0	5.2	5.5	5.4	4.0
			0.8	4.6	4.0	4.7	5.5	4.8	5.5	4.9	5.5	5.0	5.5	5.2	5.5
			1.0	4.3	5.5	4.4	5.5	4.5	5.5	4.6	5.5	4.8	5.5	5.0	5.5
			1.2	4.2	5.5	4.3	5.5	4.4	5.5	4.5	5.5	4.6	7.5	4.8	7.5
			1.6	3.7	5.5	3.8	5.5	3.9	5.5	4.0	7.5	4.2	7.5	4.4	7.5
			2.0	3.2	5.5	3.3	7.5	3.4	7.5	3.5	7.5	3.6	7.5	3.7	7.5
2GM98-34	50	7	0.2	6.7	4.0	6.8	4.0	6.9	4.0	7.0	4.0	7.2	5.5	7.4	4.0
			0.4	6.6	5.5	6.7	5.5	6.8	5.5	6.9	5.5	7.0	5.5	7.2	5.5
			0.6	6.5	5.5	6.6	5.5	6.7	5.5	6.8	5.5	6.9	5.5	7.1	5.5
			0.8	6.2	5.5	6.3	5.5	6.4	5.5	6.5	5.5	6.6	5.5	6.8	5.5
			1.0	6.0	5.5	6.1	5.5	6.2	5.5	6.3	5.5	6.4	7.5	6.6	5.5
			1.2	5.7	5.5	5.8	5.5	5.9	5.5	6.0	7.5	6.1	7.5	6.3	7.5
			1.6	5.2	7.5	5.3	7.5	5.4	7.5	5.5	7.5	5.6	7.5	5.8	7.5
			2.0	4.5	7.5	4.6	7.5	4.7	7.5	4.8	7.5	4.9	11.0	5.1	7.5
2GM98-50	50	6	0.2	10.5	4.0	10.6	5.5	10.7	5.5	10.8	5.5	11.0	5.5	11.2	5.5
			0.4	10.2	5.5	10.3	5.5	10.4	5.5	10.5	5.5	10.7	5.5	11.0	7.5
			0.6	10.0	5.5	10.1	5.5	10.2	5.5	10.3	5.5	10.5	7.5	10.7	7.5
			0.8	9.7	5.5	9.8	5.5	9.9	5.5	10.0	7.5	10.2	7.5	10.5	11.0
			1.0	9.3	5.5	9.4	7.5	9.5	7.5	9.6	7.5	9.8	11.0	10.0	11.0
			1.2	8.7	7.5	8.8	7.5	8.9	7.5	9.0	11.0	9.2	11.0	9.5	15.0
			1.6	8.0	7.5	8.1	11.0	8.2	11.0	8.3	11.0	8.5	15.0	8.7	15.0

注：本表所示功率为配用电机功率。 Note: The power of the table is the power of the motor.



转速 Speed  $n=1000r/min$ 

型号 Model	口径 (mm) Diameter	真空度 (mHzO) Vacuum	压力 (MPa) Pressure	运动粘度 Viscosity $mm^2/s$											
				35		75		150		350		750		1500	
				流量 (M <sup>3</sup> /h) Flux	功率 (Kw) Power	流量 (M <sup>3</sup> /h) Flux	功率 (Kw) Power	流量 (M <sup>3</sup> /h) Flux	功率 (Kw) Power	流量 (M <sup>3</sup> /h) Flux	功率 (Kw) Power	流量 (M <sup>3</sup> /h) Flux	功率 (Kw) Power	流量 (M <sup>3</sup> /h) Flux	功率 (Kw) Power
2GM98-72	50	6	0.2	15.6	4.0	15.8	5.5	16.0	5.5	16.2	5.5	16.5	5.5	16.8	5.5
			0.4	15.0	5.5	15.2	5.5	15.4	5.5	15.6	5.5	15.9	5.5	16.2	7.5
			0.6	14.3	5.5	14.5	5.5	14.7	5.5	14.9	5.5	15.2	7.5	15.5	7.5
			0.8	13.7	5.5	13.9	7.5	14.1	7.5	14.3	7.5	14.5	7.5	14.8	11.0
			1.0	13.0	7.5	13.2	7.5	13.4	7.5	13.6	7.5	13.8	11.0	14.0	11.0
			1.2	12.5	7.5	12.7	7.5	12.9	7.5	13.1	11.0	13.3	11.0	13.5	15.0
			1.6	10.0	7.5	10.2	11.0	10.4	11.0	10.6	11.0	10.8	15.0	11.0	15.0
2GM128-40	80	7	0.2	17.5	5.5	17.8	5.5	18.0	5.5	18.2	5.5	18.5	5.5	19.0	7.5
			0.4	16.5	5.5	16.8	5.5	17.0	5.5	17.2	5.5	17.5	7.5	18.0	7.5
			0.6	15.5	7.5	15.8	7.5	16.0	7.5	16.2	7.5	16.5	7.5	17.0	11.0
			0.8	14.5	7.5	14.8	7.5	15.0	7.5	15.2	7.5	15.5	11.0	16.0	11.0
			1.0	14.0	11.0	14.2	11.0	14.5	11.0	14.7	11.0	15.0	15.0	15.5	15.0
			1.2	13.5	11.0	13.8	11.0	14.0	11.0	14.2	11.0	14.5	15.0	15.0	15.0
			1.6	12.5	15.0	12.8	15.0	13.0	15.0	13.2	15.0	13.5	18.5	14.0	18.5
			2.0	11.5	18.5	11.8	18.5	12.0	18.5	12.2	18.5	12.5	22.0	13.0	22.0
2GM128-50	80	7	0.2	21.0	11.0	21.2	11.0	21.5	11.0	21.8	11.0	22.0	11.0	22.5	15.0
			0.4	19.5	11.0	19.8	11.0	20.0	11.0	20.2	11.0	20.5	15.0	21.0	15.0
			0.6	18.0	15.0	18.2	15.0	18.5	15.0	18.7	15.0	19.0	15.0	19.5	18.5
			0.8	16.5	15.0	16.8	15.0	17.0	15.0	17.2	15.0	17.5	18.5	18.0	18.5
			1.0	15.5	18.5	15.8	18.5	16.0	18.5	16.2	18.5	16.5	18.5	17.0	22.0
			1.2	14.5	18.5	14.8	18.5	15.0	18.5	15.2	18.5	15.5	22.0	16.0	22.0
			1.6	12.5	22.0	12.8	22.0	13.0	22.0	13.2	22.0	13.5	22.0	14.0	30.0
			2.0	9.0	30.0	9.7	30.0	10.0	30.0	10.2	30.0	10.5	30.0	11.0	30.0
2GM128-80	80	6	0.2	33.0	15.0	34.0	15.0	35.0	15.0	35.5	15.0	36.0	15.0	36.5	18.5
			0.4	30.0	15.0	31.0	15.0	32.0	15.0	32.5	15.0	33.0	18.5	33.5	18.5
			0.6	27.0	18.5	28.0	18.5	29.0	18.5	29.5	18.5	30.0	18.5	30.5	22.0
			0.8	25.0	18.5	26.0	18.5	27.0	18.5	27.5	18.5	28.0	22.0	28.5	22.0
			1.0	22.0	22.0	23.0	22.0	24.0	22.0	24.5	22.0	25.0	22.0	25.5	30.0
			1.2	20.0	22.0	21.0	22.0	22.0	22.0	22.5	22.0	23.0	30.0	23.5	30.0
			1.6	16.0	30.0	17.0	30.0	18.0	30.0	18.5	30.0	19.0	30.0	19.5	37.0
			2.0	13.0	30.0	14.0	30.0	15.0	30.0	15.5	30.0	16.0	27.0	16.5	37.0
2GM128-100	80	6	0.2	37.0	18.5	38.0	18.5	39.0	18.5	39.5	18.5	40.0	18.5	41.0	22.0
			0.4	35.0	18.5	36.0	18.5	37.0	18.5	37.5	18.5	38.0	22.0	39.0	22.0
			0.6	33.0	22.0	34.0	22.0	35.0	22.0	35.5	22.0	36.0	22.0	37.0	30.0
			0.8	31.0	22.0	32.0	22.0	33.0	22.0	33.5	22.0	34.0	30.0	35.0	30.0
			1.0	29.0	30.0	30.0	30.0	31.5	30.0	32.0	30.0	32.5	30.0	33.5	37.0
			1.2	28.0	30.0	29.0	30.0	30.0	30.0	30.5	30.0	31.0	37.0	32.0	37.0
			1.6	25.0	37.0	26.0	37.0	27.0	37.0	27.5	37.0	28.0	37.0	29.0	45.0
			2.0	23.0	37.0	24.0	37.0	25.0	37.0	25.5	37.0	26.0	45.0	27.0	45.0

注：本表所示功率为配用电机功率。 Note: The power of the table is the power of the motor.



**转速 Speed n=750r/min**

型号 Model	口径 (mm) Diameter	真空度 (mHzO) Vacuum	压力 (MPa) Pressure	运动粘度 Viscosity mm <sup>2</sup> /s											
				35		75		150		350		750		1500	
				流量 (M <sup>3</sup> /h) Flux	功率 (Kw) Power	流量 (M <sup>3</sup> /h) Flux	功率 (Kw) Power	流量 (M <sup>3</sup> /h) Flux	功率 (Kw) Power	流量 (M <sup>3</sup> /h) Flux	功率 (Kw) Power	流量 (M <sup>3</sup> /h) Flux	功率 (Kw) Power	流量 (M <sup>3</sup> /h) Flux	功率 (Kw) Power
2GM98-25	50	6	0.2	4.2	4.0	4.4	4.0	4.5	4.0	4.6	4.0	4.8	4.0	5.0	4.0
			0.4	4.0	4.0	4.1	4.0	4.2	4.0	4.3	4.0	4.5	4.0	4.7	5.5
			0.6	3.8	4.0	3.9	4.0	4.0	4.0	4.1	4.0	4.3	5.5	4.5	5.5
			0.8	3.6	4.0	3.8	5.5	3.9	5.5	4.0	5.5	4.1	5.5	4.3	7.5
			1.0	3.5	5.5	3.6	5.5	3.7	5.5	3.8	5.5	4.0	5.5	4.2	7.5
			1.2	3.3	5.5	3.5	5.5	3.6	5.5	3.7	5.5	3.8	7.5	4.0	11.0
			1.6	3.0	5.5	3.2	5.5	3.3	5.5	3.4	7.5	3.6	7.5	3.8	11.0
			2.0	2.8	5.5	3.0	7.5	3.0	7.5	3.2	7.5	3.4	11.0	3.5	15.0
2GM98-34	50	6	0.2	5.4	5.5	5.6	5.5	5.7	5.5	5.8	5.5	6.0	5.5	6.2	5.5
			0.4	5.2	5.5	5.4	5.5	5.5	5.5	5.6	5.5	5.8	5.5	6.0	5.5
			0.6	5.1	5.5	5.3	5.5	5.4	5.5	5.5	5.5	5.7	5.5	5.9	7.5
			0.8	5.0	5.5	5.2	5.5	5.3	5.5	5.4	5.5	5.6	7.5	5.8	7.5
			1.0	4.8	5.5	5.0	5.5	5.1	5.5	5.2	5.5	5.4	7.5	5.6	7.5
			1.2	4.5	5.5	4.8	5.5	5.0	5.5	5.1	7.5	5.3	7.5	5.5	11.0
			1.6	3.8	5.5	4.2	7.5	4.5	7.5	4.5	7.5	4.8	11.0	5.0	11.0
			2.0	3.2	7.5	3.6	7.5	4.0	7.5	4.0	7.5	4.5	11.0	4.8	15.0
2GM98-50	50	5	0.2	8.5	5.5	8.7	5.5	8.8	5.5	8.9	5.5	9.2	5.5	9.5	5.5
			0.4	8.2	5.5	8.4	5.5	8.5	5.5	8.6	5.5	8.8	5.5	9.2	7.5
			0.6	7.8	5.5	8.1	5.5	8.2	5.5	8.3	5.5	8.5	7.5	8.9	7.5
			0.8	7.6	5.5	7.9	5.5	8.0	5.5	8.1	5.5	8.2	7.5	8.7	11.0
			1.0	7.4	7.5	7.8	7.5	7.7	7.5	7.8	7.5	8.0	7.5	8.5	11.0
			1.2	7.0	7.5	7.2	7.5	7.4	7.5	7.5	7.5	7.8	11.0	8.2	15.0
			1.6	6.5	7.5	6.8	11.0	7.0	11.0	7.2	11.0	7.5	11.0	8.0	15.0
			2.0	5.3	11.0	5.7	11.0	6.0	11.0	6.3	11.0	6.6	15.0	7.0	18.5
2GM98-72	50	5	0.2	12.5	5.5	12.8	5.5	13.0	5.5	13.1	5.5	13.3	5.5	13.5	7.5
			0.4	12.0	5.5	12.3	5.5	12.5	5.5	12.6	5.5	12.8	7.5	13.0	7.5
			0.6	11.5	5.5	11.8	5.5	12.0	5.5	12.2	7.5	12.4	7.5	12.7	11.0
			0.8	11.0	5.5	11.3	7.5	11.5	7.5	11.7	7.5	12.0	11.0	12.4	11.0
			1.0	10.5	7.5	10.8	7.5	11.0	7.5	11.2	7.5	11.5	11.0	12.0	15.0
			1.2	10.0	7.5	10.2	7.5	10.5	7.5	10.7	11.0	11.0	15.0	11.5	15.0
			1.6	9.0	7.5	9.2	11.0	9.5	11.0	9.7	11.0	10.0	15.0	10.6	18.5
			2.0	7.2	11.0	7.6	11.0	8.0	11.0	8.8	15.0	9.0	18.5	9.7	18.5

注：本表所示功率为配用电动机功率。 Note: The power of the table is the power of the motor.



转速 Speed  $n=750r/min$ 

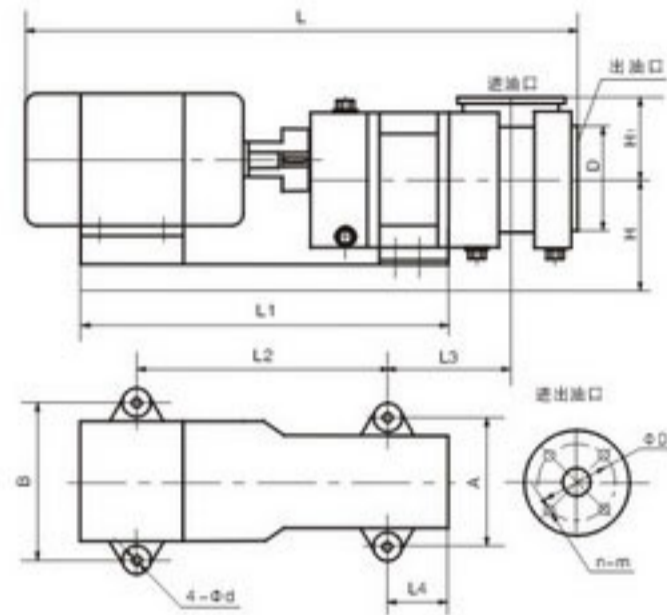
型号 Model	口径 (mm) Diameter	真空度 (mHzO) Vacuum	压力 (MPa) Pressure	运动粘度 Viscosity $mm^2/s$											
				35		75		150		350		750		1500	
				流量 (M <sup>3</sup> /h) Flux	功率 (Kw) Power	流量 (M <sup>3</sup> /h) Flux	功率 (Kw) Power	流量 (M <sup>3</sup> /h) Flux	功率 (Kw) Power	流量 (M <sup>3</sup> /h) Flux	功率 (Kw) Power	流量 (M <sup>3</sup> /h) Flux	功率 (Kw) Power	流量 (M <sup>3</sup> /h) Flux	功率 (Kw) Power
2GM128-40	80	6	0.2	13.0	7.5	13.3	7.5	13.5	7.5	13.6	7.5	13.8	7.5	14.0	11.0
			0.4	12.0	7.5	12.3	7.5	12.5	7.5	12.6	7.5	12.8	11.0	13.0	11.0
			0.6	11.0	7.5	11.3	7.5	11.5	7.5	11.6	11.0	11.8	11.0	12.0	11.0
			0.8	10.0	7.5	10.3	11.0	10.5	11.0	10.6	11.0	10.8	11.0	11.0	15.0
			1.0	9.5	11.0	9.8	11.0	10.0	11.0	10.1	11.0	10.3	15.0	10.5	15.0
			1.2	9.0	11.0	9.3	11.0	9.5	11.0	9.6	15.0	9.8	15.0	10.0	18.5
			1.6	7.2	11.0	7.7	15.0	8.0	15.0	8.2	15.0	8.5	18.5	8.8	18.5
			2.0	6.0	15.0	6.6	15.0	7.0	15.0	7.3	18.5	7.7	18.5	8.0	22.0
2GM128-50	80	6	0.2	17.0	11.0	17.3	11.0	17.5	11.0	17.8	15.0	18.0	15.0	18.3	15.0
			0.4	15.5	11.0	15.8	15.0	16.0	15.0	16.3	15.0	17.0	15.0	17.3	18.5
			0.6	14.0	15.0	14.3	15.0	14.5	15.0	14.8	15.0	15.0	18.5	15.3	18.5
			0.8	12.5	15.0	12.8	15.0	13.0	15.0	13.3	18.5	13.5	18.5	13.8	22.0
			1.0	12.0	15.0	12.3	18.5	12.5	18.5	12.8	18.5	13.0	22.0	13.3	22.0
			1.2	11.5	18.5	11.8	18.5	12.0	18.5	12.3	22.0	12.5	22.0	12.8	30.0
			1.6	9.2	18.5	9.8	22.0	10.0	22.0	10.3	22.0	10.5	30.0	10.8	30.0
			2.0	7.5	22.0	8.2	22.0	8.5	22.0	8.8	30.0	9.0	30.0	9.4	37.0
2GM128-80	80	5	0.2	27.8	15.0	28.2	15.0	28.5	15.0	28.8	15.0	29.0	18.5	29.3	18.5
			0.4	25.2	15.0	25.7	15.0	26.0	15.0	26.3	18.5	26.5	18.5	26.8	22.0
			0.6	22.2	15.0	22.7	18.5	23.0	18.5	23.3	18.5	23.5	22.0	23.8	22.0
			0.8	20.2	18.5	20.7	18.5	21.0	18.5	21.3	22.0	21.5	22.0	21.8	30.0
			1.0	18.1	18.5	18.7	22.0	19.0	22.0	19.3	22.0	19.5	30.0	19.8	30.0
			1.2	16.0	22.0	16.6	22.0	17.0	22.0	17.3	30.0	17.5	30.0	17.8	37.0
			1.6	13.2	22.0	14.0	30.0	14.5	30.0	14.8	30.0	15.0	37.0	15.5	37.0
			2.0	9.5	30.0	10.5	30.0	11.0	30.0	11.4	37.0	11.8	37.0	12.5	45.0
2GM128-100	80	5	0.2	33.5	15.0	33.8	15.0	34.0	15.0	34.3	15.0	34.6	18.5	35.0	18.5
			0.4	31.0	15.0	31.3	15.0	31.5	15.0	31.8	18.5	32.1	18.5	32.5	22.0
			0.6	28.5	15.0	28.8	18.5	29.0	18.5	29.3	18.5	29.6	22.0	30.0	22.0
			0.8	25.5	18.5	25.8	18.5	26.0	18.5	26.3	22.0	26.6	22.0	27.0	30.0
			1.0	23.0	18.5	23.3	22.0	23.5	22.0	23.8	22.0	24.2	30.0	24.6	30.0
			1.2	20.5	22.0	20.8	22.0	21.0	22.0	21.3	30.0	21.8	30.0	22.3	37.0
			1.6	17.2	22.0	17.8	30.0	18.0	30.0	18.5	30.0	19.0	37.0	19.7	37.0
			2.0	13.0	30.0	13.6	30.0	14.0	30.0	14.6	37.0	14.2	37.0	15.0	45.0

注：本表所示功率为配用电动机功率。 Note: The power of the table is the power of the motor.



3、2GM系列单吸双螺杆泵机组安装尺寸

Installation dimensions of 2GM series single-absorb twin screw pump



泵型号 Model	配用电机 Motor	H	H <sub>1</sub>	L	L <sub>1</sub>	L <sub>2</sub>	L <sub>3</sub>	L <sub>4</sub>	A	B	d	D	D <sub>1</sub>	n-m
2GM58	Y90	136	97	685	464	300	147	68	205	225	15	115	85	4-M12
	Y100			730	508	350				290				
	Y112			750	508	350				290				
2GM68	Y100	172	118	794	553	350	188	102	250	250	20	150	110	4-M16
	Y112			832	563	360				305				
	Y132			929	641	450				180				
	Y160	248	1059	720	500	203	110	300	300	18				
2GM98	Y132	182	148	1033	675	450	248	123	300	340	20	165	125	4-M16
	Y160	248		1163	780	550	250	115	300	300	18			
	Y180	258		1228	822	600	246	111	340	340				
2GM128	Y132	288	182	1150	803	600	252	102	260	260	18	200	160	8-M16
	Y160			1280	862	650	256	106	340	340				
	Y180			1345	905	650	277	127	340	340				
	Y200			1410	946	650	298	148	360	360				
	Y225	313		1480	977	650	313	163	400	400				
	Y250	338		1565	1072	700	336	186	450	450				