

## 一、概述

DBY系列电动隔膜泵是目前国内较新颖的一种泵类。广泛应用于各种腐蚀性液体、带颗粒、高粘度、易挥发、易燃、易爆、剧毒的液体及陶瓷釉浆、果酱、胶水等介质的抽送及油轮船底油的回收。泵体过流部件材质采用不锈钢、铝合金或铸铁制造，隔膜材料根据不同介质分别采用丁腈橡胶、氟橡胶、氯丁橡胶及聚四氟乙烯制造。

## 二、特点：

DBY系列电动隔膜泵具有下列特点：

- 1、能抽送各种腐蚀性介质及易燃易爆介质，安全可靠。
- 2、能抽送带颗粒的液体介质，直径在10毫米以下的颗粒、泥浆等均可以顺利通过。
- 3、由于隔膜将被输送介质和传动机械件分开，所以介质绝对不会向外泄漏。且泵本身无轴封，使用寿命大大延长。
- 4、采用了行星摆线传动结构，体积小重量轻。

## 三、应用：

- |                     |                      |
|---------------------|----------------------|
| 1、各种剧毒、易燃、易爆、易挥发液体。 | 2、各种强酸、强碱、强腐蚀液体。     |
| 3、油罐车、油库、油品装卸。      | 4、泡菜果酱、土豆泥、巧克力等。     |
| 5、油漆、橡胶、颜料、粘合剂。     | 6、各种瓷器釉浆、水泥灌浆、灰浆、泥浆。 |
| 7、各种乳胶、有机溶剂、填料。     | 8、油轮清舱吸取舱内污水及剩油。     |
| 9、啤酒花及发酵粉稀浆、糖浆、糖蜜。  | 10、各种特殊介质的吸送。        |

## 一、General

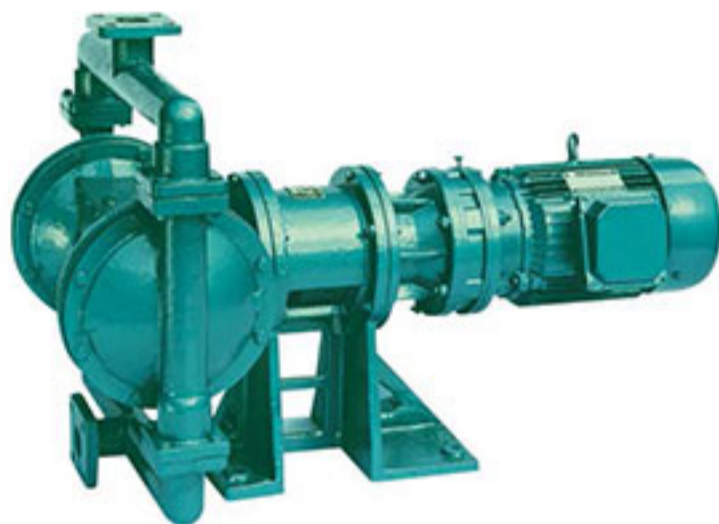
DBY series Electric Diaphragm Pump is a kind of comparatively innovative pump in present domestic market, which is widely applied for pumping corrosive, volatilizable, high viscous, combustible, flammable and poisonous liquids, as well as ceramic slurry, fruit pulp, glue, liquid with solids and retrieval of bilge oil of oil carrier. The wetted parts of the pump are with material of stainless steel, aluminum or cast iron and the diaphragm materials can be of butadiene-acrylonitrile rubber, fluoro rubber, neoprene or polytetrafluoroethylene.

## 二、Features

1. Can transfer a variety of corrosive, combustible and flammable fluids safely and durably.
2. Can transfer liquid containing solids with diameter below 10mm as well as slurry.
3. As the media liquid is separated from deriving components by diaphragm, the liquid will not be leaked. And the pump has a longer life as a result of shaft seal not mounted.
4. With driving structure of planetary cycloid, the pump is smaller and lighter.

## 三、Application

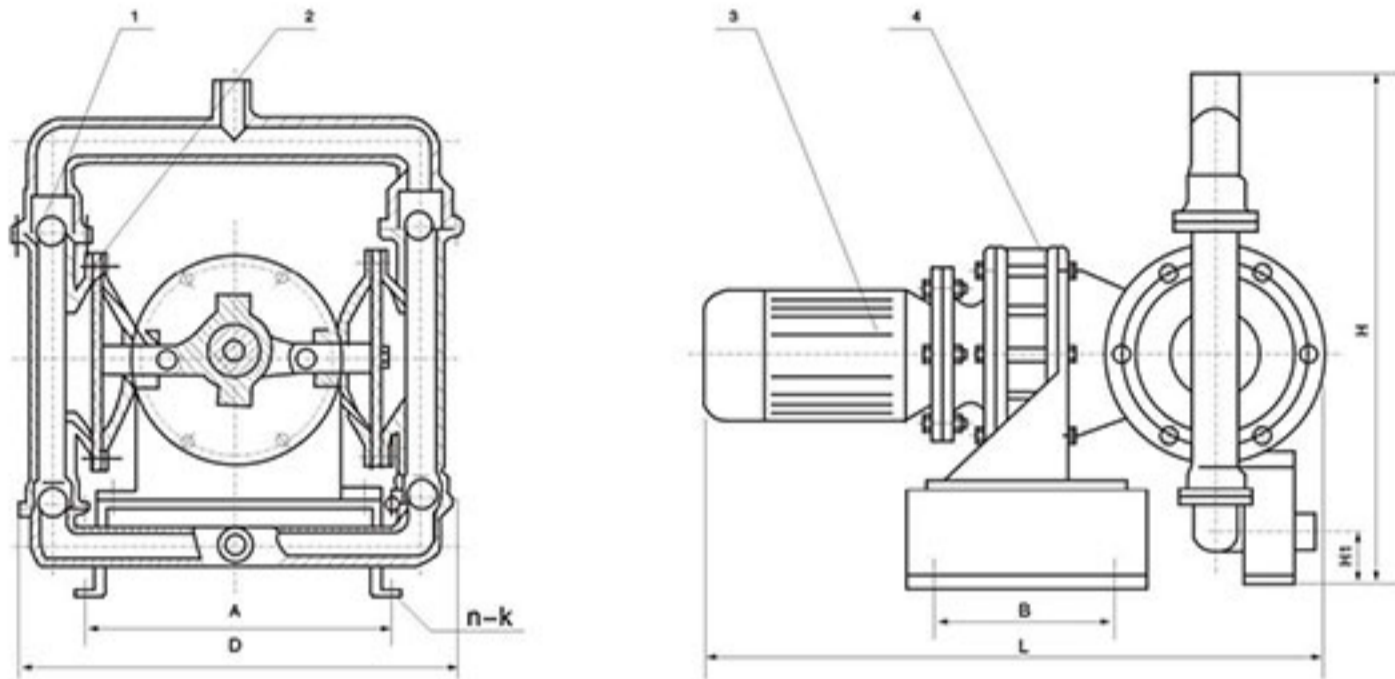
1. Poisonous, combustible and volatilizable liquids.
2. Strong acid, strong alkali liquids with corrosion.
3. Tanker truck, bulk plant, load and unload of oil products
4. Pickle, fruit pulp, mashed potatoes, chocolates, etc.
5. Paint, rubber, pigment and adhesives.
6. Various ceramic pulp, grouting, mortar and slurry.
7. Various latex, organic solvents, stuffing
8. Stripping of oil carrier(pumping dirty water and residual oil)
9. Common hop, thin paste of yeast power, syrup and molasses.
10. Special liquids.



#### 四、主要性能规格 Main performance specification

型号 Model	流量 (m <sup>3</sup> /h) Flux	真空度 (m·HzO) Vacuum degree	出口压力 (Mpa) Outlet pressure	电机转速/功率 Electrical machinery rotational speed /Power		使用温度℃ Application temperature		泵进出口尺寸 Pump import and export size	重量 Weight kg	备注 Note
				r/min	Kw	铸铁 Cast iron	不锈钢 Stainless steel			
DBY-10	0.5	3	0.3	1450	0.75	90	150	G1/2"	50	
DBY-15	0.75	3	0.3	1450	0.75	90	150	G1/2"	50	
DBY-25	3.5	4	0.3	1450	1.5	90	150	G1"	170	
DBY-40	4.5	4	0.3	1450	1.5	90	150	40mm法兰	180	
DBY-50	6.5	4.5	0.3	1450	2.2	90	150	50mm法兰	400	
DBY-65	8	4.5	0.3	1450	2.2	90	150	65mm法兰	400	
DBY-80	16	5	0.3	1450	5.5	90	150	80mm法兰	610	
DBY-100	20	5	0.3	1450	5.5	90	150	100mm法兰	610	

## 五、安装尺寸图 Installs the dimensional drawing



## 六、安装尺寸与外形尺寸 Installs the size and the external dimensions

型号 Model	A	B	D	n-k	L	H	H1
DBY-10	130	240	300	4-φ12	520	225	50
DBY-15	130	240	300	4-φ12	520	225	50
DBY-25	160	320	360	4-φ15	675	480	60
QBY-40	180	340	380	4-φ15	700	480	60
DBY-50	200	380	580	4-φ18	845	740	85
DBY-65	200	380	580	4-φ18	845	740	85
DBY-80	370	250	370	4-φ18	1000	900	96
DBY-100	370	250	370	4-φ18	1000	930	96

## 隔膜材料特性 Mutual lack of understanding materials behavior

介质种类 Medium type	隔膜品种 Baffle variety	丁腈橡胶 Ding nitrile rubber	氯丁橡胶 Chloroprene rubber	氟橡胶 Fluorine rubber	聚四氟乙烯 Teflon	食品橡胶 Food rubber
发烟硝酸 Fuming nitric acid		×	×	△	△	
浓硝酸 Aqua fortis		×	×	△	△	
浓硫酸 Strong sulfuric acid		×	×	○	△	
浓盐酸 Thick hydrochloric acid		×	△	△	△	
浓磷酸 Thick phosphoric acid		×	△	△	△	
浓醋酸 Thick acetic acid		×	×	×	△	
浓氢氧化钠 Thick sodium hydroxide		○	○	△	△	
无水氨 Anhydrous ammonia		△	△	△	△	
稀硝酸 Thin nitric acid		×	×	○	△	
稀硫酸 Dilute sulphuric acid		△	△	△	△	
稀盐酸 Diluted hydrochloric acid		×	○	△	△	
稀磷酸 Thin phosphoric acid		×	×	△	△	
稀氢氧化钠 Thin sodium hydroxide		○	○	△	△	
氨水 Ammonia water		△	△	×		
苯 Benzene		×	×	○	○	
汽油 Gasoline		○	○	○	○	
石油 Petroleum		△	×	○	○	
四氯化碳 Carbon tetrachloride		○	×	○	○	
二硫化碳 Carbon bisulfide		○	×	×	○	
乙醇 Ethyl alcohol		○	○	○	○	
丙酮 Acetone		×	△	×	○	
甲酚 Cresol		×	△	△	○	
乙醛 Acetaldehyde		×	×	△	○	
乙苯 Ethyl benzene		×	×	△	○	
丙烯腈 Propylene nitrile		△	△	×	○	
丁醇 Butylalcohol		○	○	○	○	
丁二烯 Pyrolylene		○	×	△	○	
苯乙烯 Styrene		×	×	△	○	
醋酸乙醇 Vinegar alkene ethyl alcohol		×	×	×	○	
醚 Ether		×	×	×	○	

注：○寿命较长，△寿命一般，×不可用、本表仅从耐磨性考虑，因聚四氟乙烯弹性比橡胶差，故实际使用寿命因压力，泵行程杂质等因素影响而异。食品橡胶专用食品饮料行业。

Note: ○The life is long, △Life general, ×Not available, this table only considered from the wear ability, because the teflon elasticity is worse than the rubber, therefore physical life because of pressure, factors and so on pump traveling schedule impurity But influence different. Food rubber special-purpose food drink profession.